



LEFROY BROOKS

IBROC HOUSE ESSEX ROAD
HODDESDON HERTS EN11 OQS UK
T: +44 (0)1992 708 316 F: +44 (0)1992 708 317

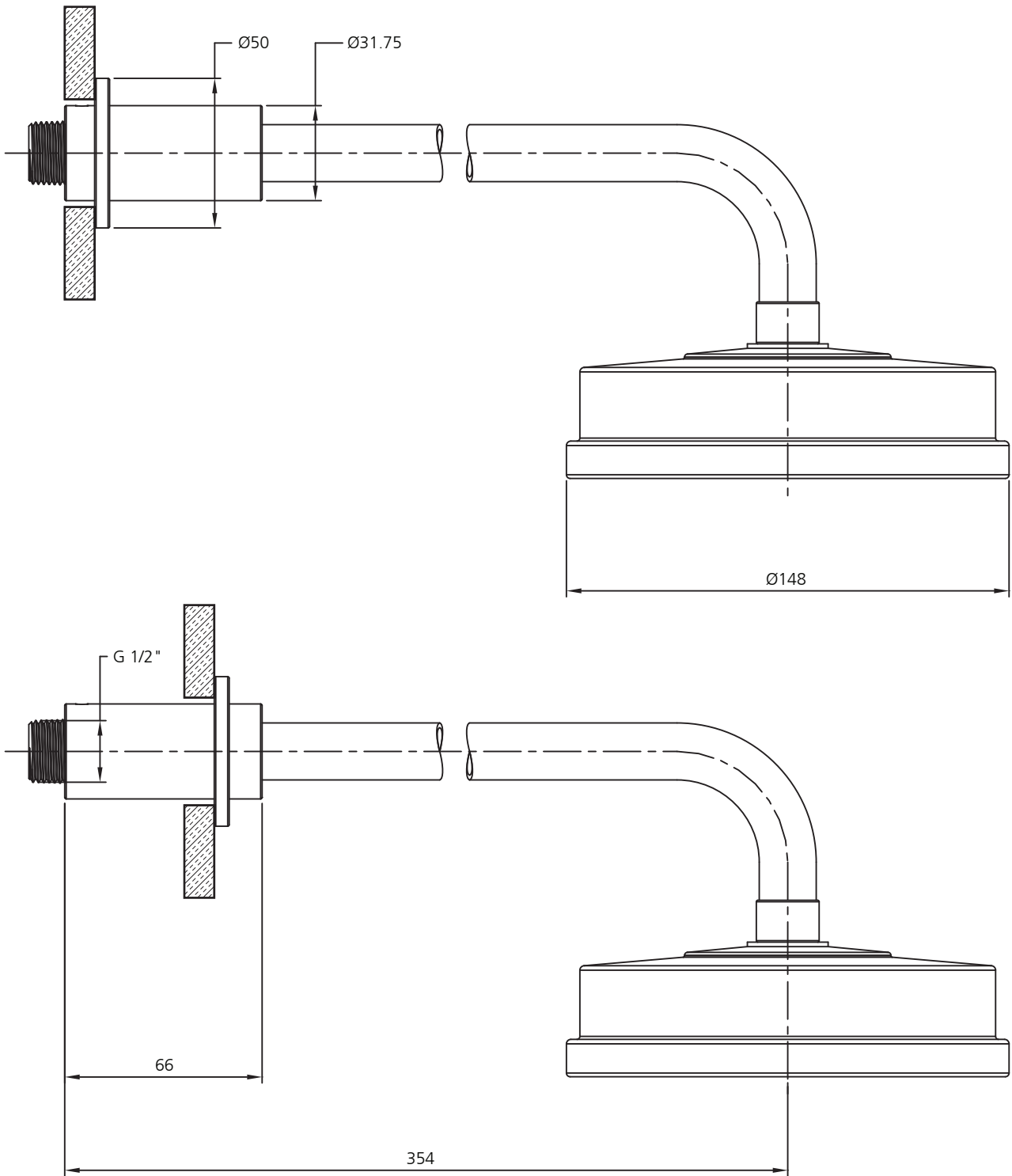
XO-4011

ZU 6" EXPOSED SHOWER ROSE AND ARM (SHORT)

DIMENSIONAL DATA SHEET

DATE: 19 August 2010

NUMBER: 30 069 4011 A



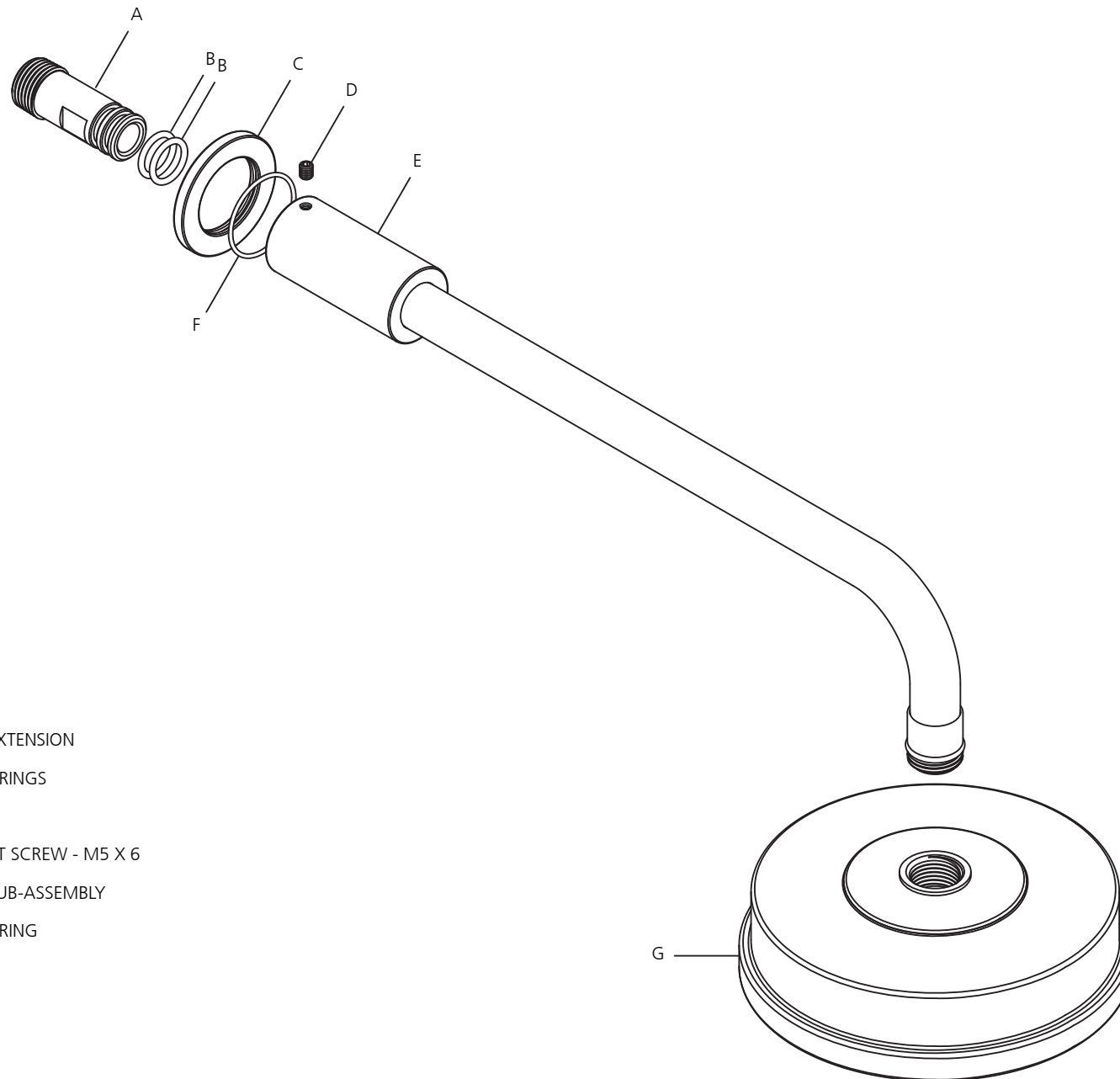
©COPYRIGHT 2001-2010. CHRISTO LEFROY BROOKS. ALL RIGHTS RESERVED.

DIMENSIONS IN MILLIMETRES

WHILST EVERY EFFORT IS MADE TO ENSURE THE ACCURACY OF THESE DATA SHEETS THEY ARE SUBJECT TO CHANGE WITHOUT NOTICE AS PART OF THE COMPANY'S PRODUCT DEVELOPMENT PROCESS

XO-4011

ZU 6" EXPOSED SHOWER ROSE AND ARM (SHORT)



- A 30 055 111 - SPOUT EXTENSION
- B 0146-24 (BS4518) - O-RINGS
- C 30 030 012 - FLANGE
- D HEXAGON SOCKET SET SCREW - M5 X 6
- E 30 510 200 - SPOUT SUB-ASSEMBLY
- F 0321-16 (BS4518) - O-RING
- G 6" SHOWER HEAD